

INSTALLATION:

1. Determine placement of bench. Bench weights ___ lbs.
2. Set in place with proper equipment such as a forklift or crane. See Fig. 1. or Fig. 2.

Included components: No assembly required

Tools required:

- Crane or forklift to move (120" bench)
- Wood support or straps

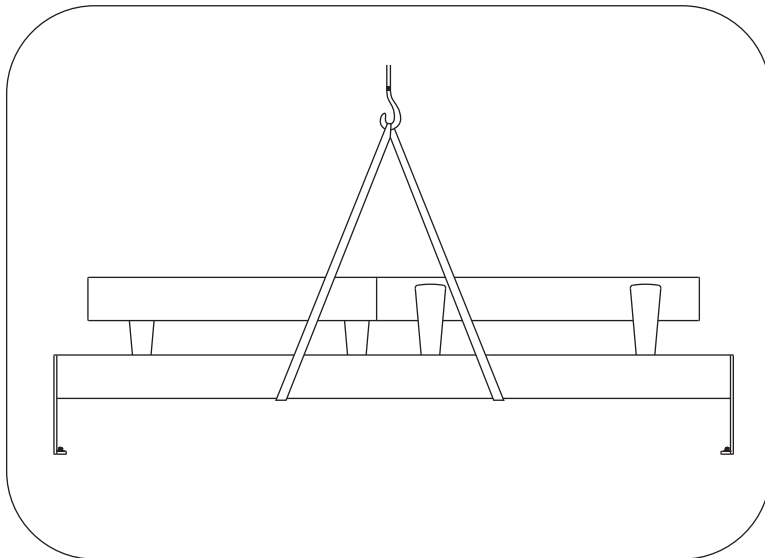


Fig. 1 - Crane install - strap locations

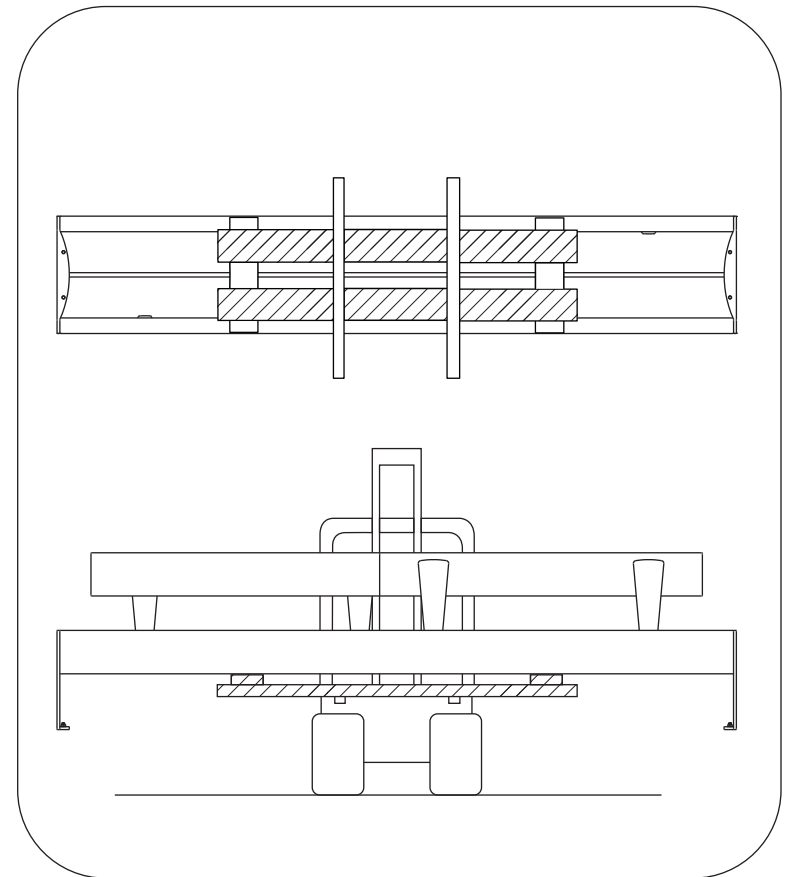


Fig. 2 - Forklift install - bracing locations